

Train path requests for cross-border services

**Basel DB
factsheet**

Valid from 11.12.2016 (V2)



Help document

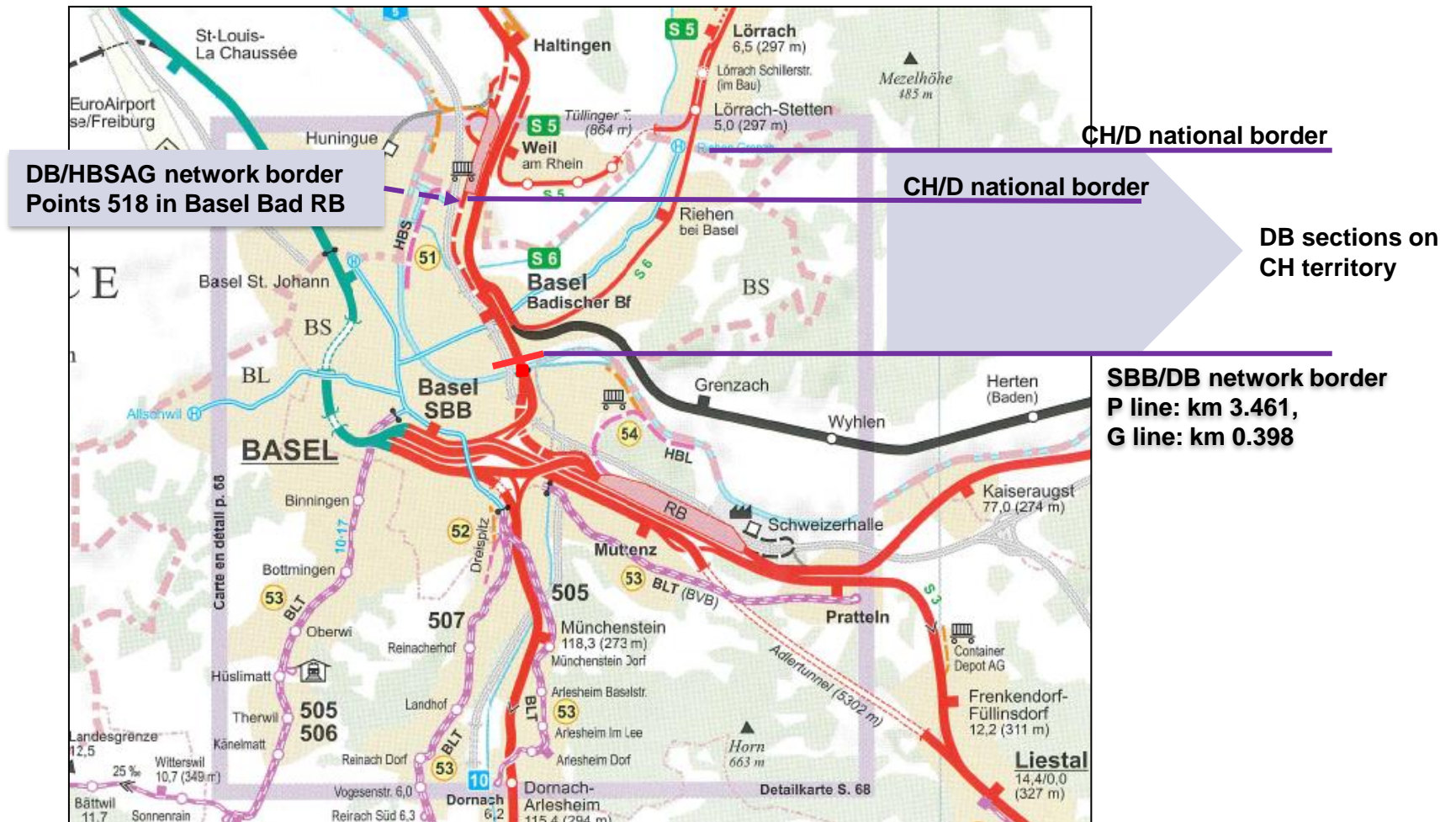
- For additional information (principles of mandatory entries in NeTS, special rules for cross-border passenger services and examples), please refer to the factsheet help document:

[Passenger services help document](#)

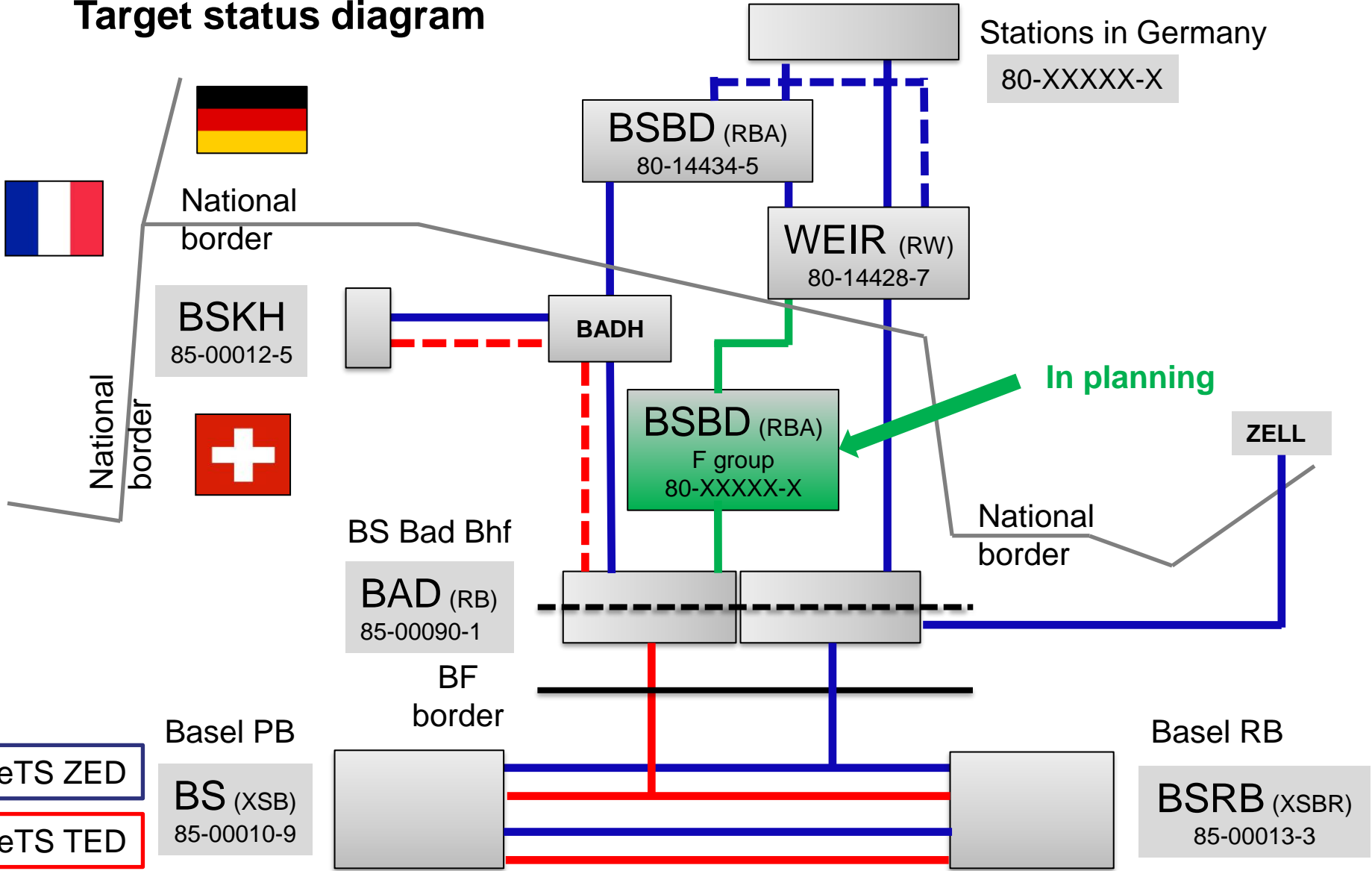
[Freight services help document/example](#)

Network connection point: SBB/DB in Basel

Overview of national and network borders



Target status diagram



(...) German abbreviation

Operating points to be recorded in AVIS (-NeTS)

To enable all the peripheral systems to function properly at the Basel DB border, it is essential that the following operating points are recorded, depending on the direction of travel.

Germany → Switzerland Switzerland → Germany					↑ ↓
Operating point	UIC code	Timetable	Purpose of stop	SMS-RU	
Stations in Germany	80-XXXXX-X	hh:mm	Code(s)		
Basel Bad Bhf (BAD)	85-00090-1	hh:mm	yes	yes	
Basel Kleinh. Hafen → Switzerland Switzerland → Basel Kleinh. Hafen					↑ ↓
Operating point	UIC code	Timetable	Purpose of stop	SMS-RU	
Basel Kl. Hafen (BSKH)	85-00012-5	hh:mm	Code(s)	yes	
Basel Bad Bhf (BAD)	85-00090-1	hh:mm	yes	yes	